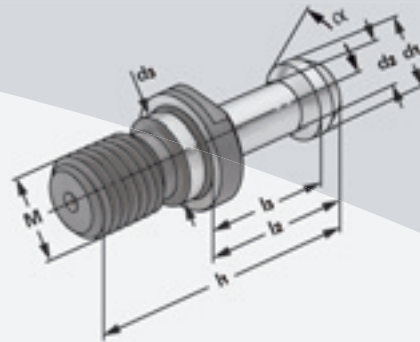


## Anzugsbolzen JIS B 6339 (MAS 403 BT)

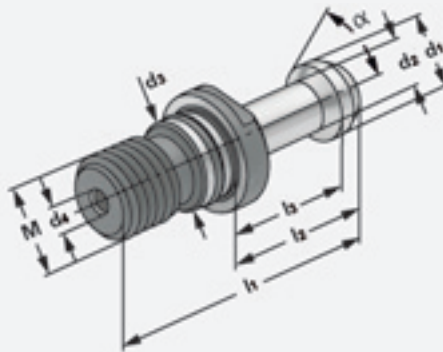
Pull studs JIS B 6339 (MAS 403 BT)

Tirettes JIS B 6339 (MAS 403 BT)



Bestell-Nr. Order no. / Référence	M	l <sub>1</sub>	l <sub>2</sub>	l <sub>3</sub>	d <sub>1</sub>	d <sub>2</sub>	d <sub>3</sub>
305.20.45	M12 – 45°	43	23	18	11	7	12,5
305.20.60	M12 – 60°	43	23	18	11	7	12,5
405.20.45	M16 – 45°	60	35	28	15	10	17,0
405.20.60	M16 – 60°	60	35	28	15	10	17,0
405.20.90	M16 – 90°	60	35	28	15	10	17,0
505.20.45	M24 – 45°	85	45	35	23	17	25,0
505.20.60	M24 – 60°	85	45	35	23	17	25,0
505.20.90	M24 – 90°	85	45	35	23	17	25,0

Ohne Durchgangsbohrung, ohne O-Ring  
Sealed, without O-ring  
Étanche, sans joint torique



Bestell-Nr. Order no. / Référence	M	l <sub>1</sub>	l <sub>2</sub>	l <sub>3</sub>	d <sub>1</sub>	d <sub>2</sub>	d <sub>3</sub>	d <sub>4</sub>
306.20.45	M12 – 45°	43	23	18	11	7	12,5	2,5
306.20.60	M12 – 60°	43	23	18	11	7	12,5	2,5
406.20.45	M16 – 45°	60	35	28	15	10	17,0	4,0
406.20.60	M16 – 60°	60	35	28	15	10	17,0	4,0
406.20.90	M16 – 90°	60	35	28	15	10	17,0	4,0
506.20.45	M24 – 45°	85	45	35	23	17	25,0	6,0
506.20.60	M24 – 60°	85	45	35	23	17	25,0	6,0
506.20.90	M24 – 90°	85	45	35	23	17	25,0	6,0

Mit Durchgangsbohrung, inkl. O-Ring  
With drill through, incl. O-ring  
Percée, avec joint torique

